

Quantum Dot LED Module

3200K / 6500K



- Specially designed for low profile signs with small stroke and shallow depth
- Compact miniature size
- Suitable for 1-2 inches depth small channel letters
- Up to 150lm/W
- IP67 rated for use in external signs
- Good colour rendition and low glare
- No flickering, no UV, no IR
- 3M backing tape
- Installs in minutes
- In-house testing conducted to ensure quality and reliability

APPLICATIONS



Offices



Education



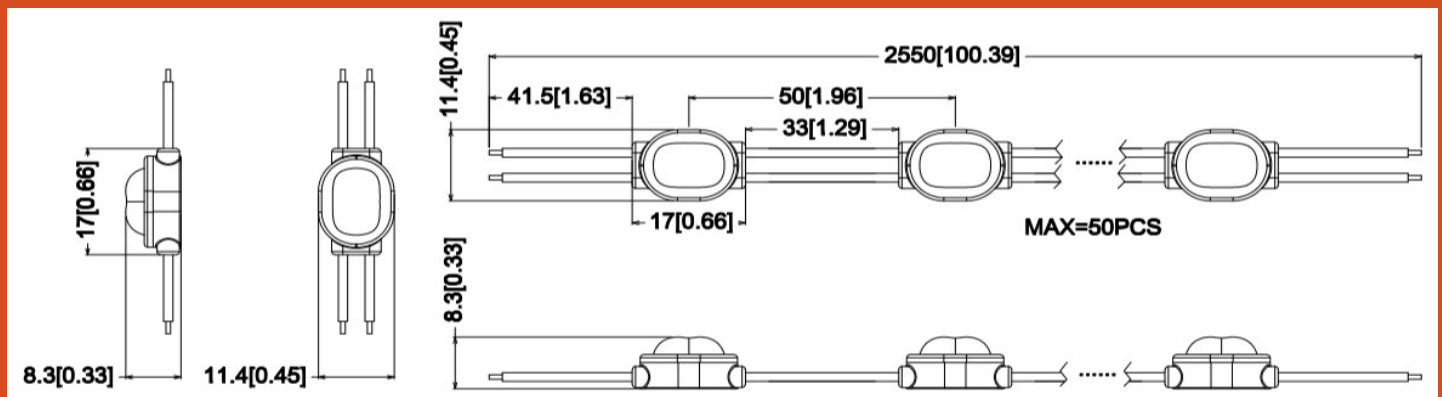
Retail



Quantum Dot LED Module Specification

ITEM	227007	227014
Description	Quantum Dot 12v Mini Sign Module 3200K	Quantum Dot 12v Mini Sign Module 6500K
Power	0.36w	0.36w
Input Voltage	12vDC	12vDC
Colour Temperature	3200K	6500K
Colour Rendition (CRI)	Ra80	Ra80
Luminous Flux	138 lm/w	150 lm/w
Beam Angle	170°	170°
Warm up Time	Instant	Instant
Working Temperature	-40~ +60°C	-40~ +60°C
IP Rating	IP67	IP67
Energy Consumption (Ec)	CE, RoHS	CE, RoHS
Lifetime	50,000 hours	50,000 hours
Warranty & LMF at EoL	5 years, 70%	5 years, 70%
Switching Cycles	50,000	50,000

Profile Drawings(Unit:mm[inch])



Power Supply Maximum Loading Capacity *

Power Supply	35W	60W	100W	150W	240W
By mod	78pcs	133pcs	222pcs	333pcs	533pcs
By Footage	13ft	22ft	36.0ft	54ft	87ft
By Meter	4m	7m	11m	17m	27m

Packaging information

Cascade	Bag	Box	Weight	Dimension
50pcs	200pcs	4,00pcs	6.5kg	45*27*27cm

* Due to voltage drop, a maximum of 50 modules can be run before power needs to be reintroduced into the line of modules.